

Long vowel/silent "e" vc-e

Instructions

Phonics Cubes

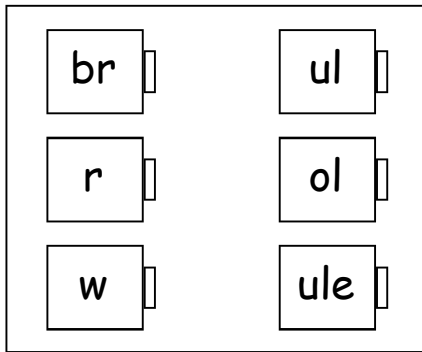
Read aloud the following words as the students match the letters to make words.

1. rule
2. snub
3. flute
4. fume
5. cut
6. yuck
7. dupe
8. rude

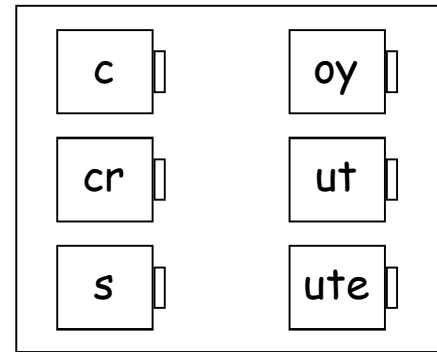
Name: _____ Date: _____

Phonics Cubes

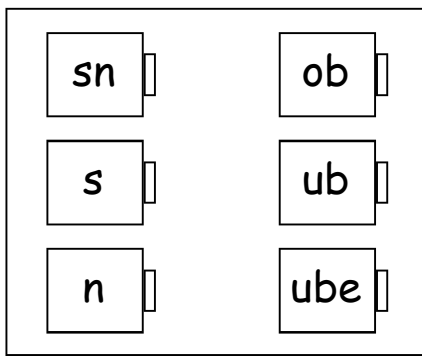
1



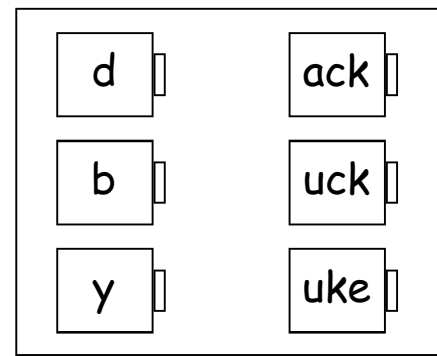
5



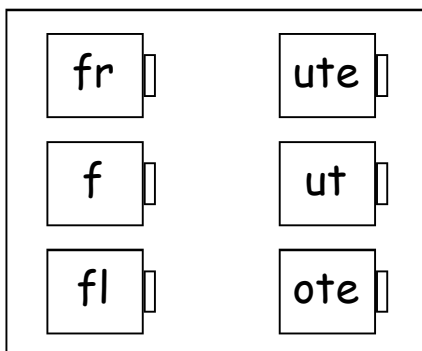
2



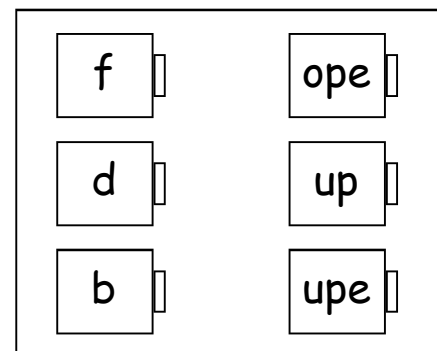
6



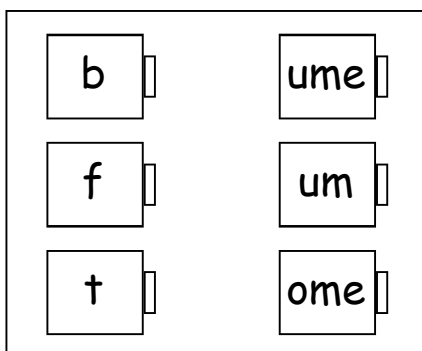
3



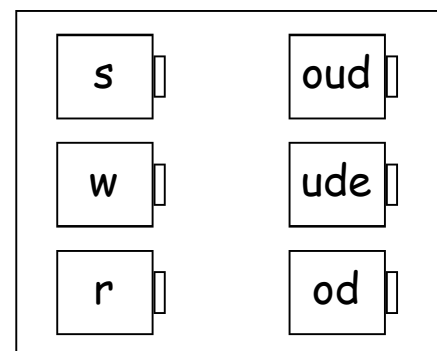
7



4



8



Score: ___/___

Phonics Cubes

1

br	ul
r	ol
w	ule

5

c	oy
cr	ut
s	ute

2

sn	ob
s	ub
n	ube

6

d	ack
b	uck
y	uke

3

fr	ute
f	ut
fl	ote

7

f	ope
d	up
b	upe

4

b	ume
f	um
t	ome

8

s	ude
w	ud
r	od